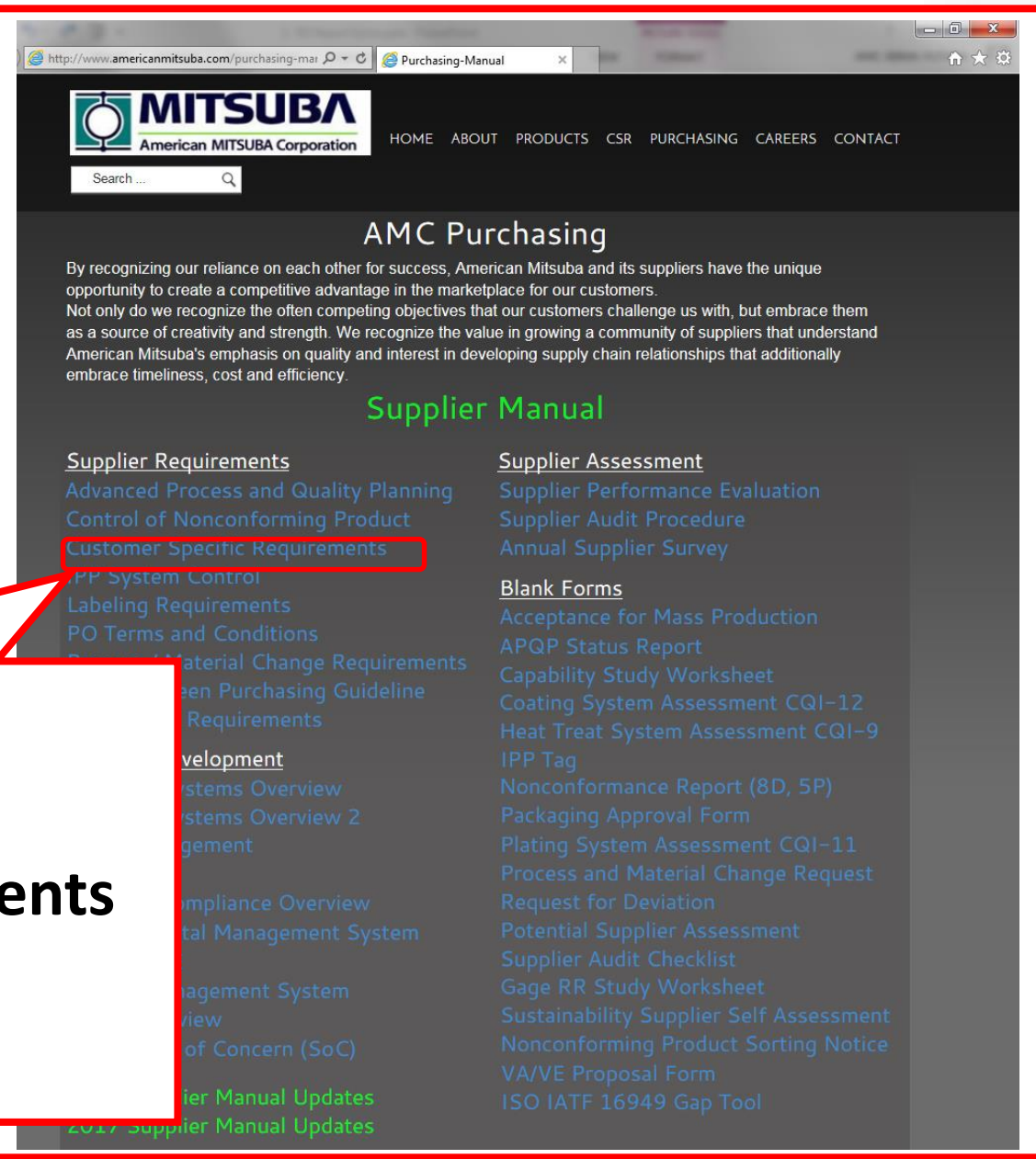


Special characteristics

Presented by










Kazuo Takamoto

R&D Manager



SUPPLIER QUALITY MANUAL
Customer Specific Requirements
updated in April 2017

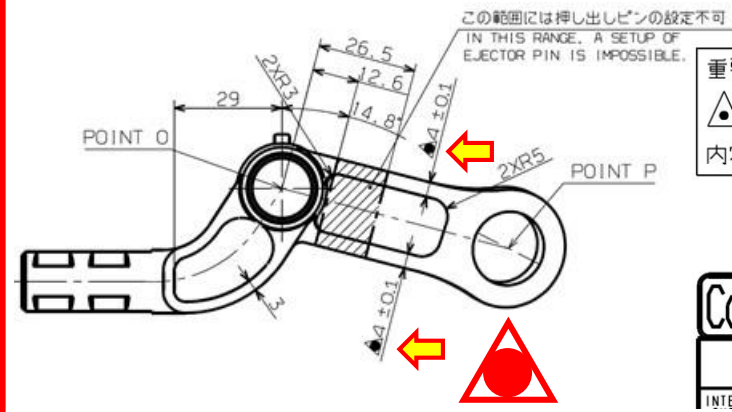
Definitions and Symbols of Special Characteristics

Characteristic (product, part, process)		
In-house special characteristics	Critical safety characteristics (S) or  	Characteristics which immediately affect human lives in the event of a failure.
	Critical regulatory characteristics (AR) or  	Characteristics which could possibly lead to noncompliance with product-specific laws and regulations of Japan and other countries in the event of a failure.
Significant characteristics (A) or  		Characteristics which could cause the loss of basic functions of the vehicle etc., in the event of a failure.
General characteristics (B) no indication or 		Characteristics which could cause the loss of product function or merchantability/comfort of vehicles in the event of a failure.
Fitting area for customer use (FIT) or 		The area used by AMC’s customer to ‘FIT’ the product. The fitting area is indicated with the “FIT” mark on the drawing. Nonconformity of this area is difficult to detect in AMC’s manufacturing processes, and is likely to cause serious issues to the customer.
Functional safety characteristics (FS) or 		Characteristics which could impede the achievement of the safety target in the event of a failure.

* **Temporary Deviation Approval (TDA)**: Suppliers are **not allowed** to request a TDA for critical safety parts and critical regulatory characteristics of critical AR parts.

Special Characteristics

		Drawing (Product & Part)	Control Plan (including in-house and suppliers')	Work Instructions, Process Control Data Sheet, (Daily Check Sheet)	Design Process
Responsible		Design Section	Process Development Section	Production Section	Design Process Development Section
Importance class	Critical safety	S or	S	S	S or
	Critical regulatory	AR or	AR	AR	AR or
	Significant	A or	A	A	A or
	General	No indication or	B	B	No indication or
Fitting characteristics	FIT or				
Functional safety characteristics	FS or				



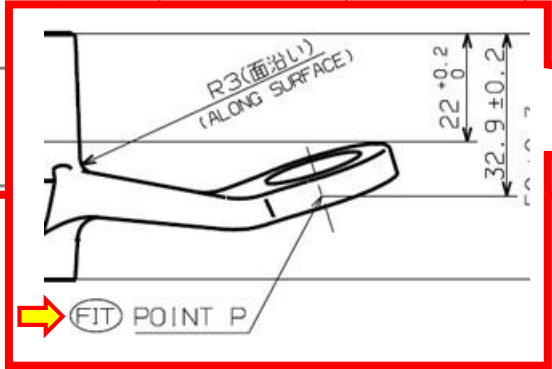
重要特性
 印の寸法及び指示内容を満足すること。

IMPOTANT CHARACTERISTICS
 IT SHALL SATISFY THE SPECIFIED DIMENSIONS AND INDICATIONS MARKED

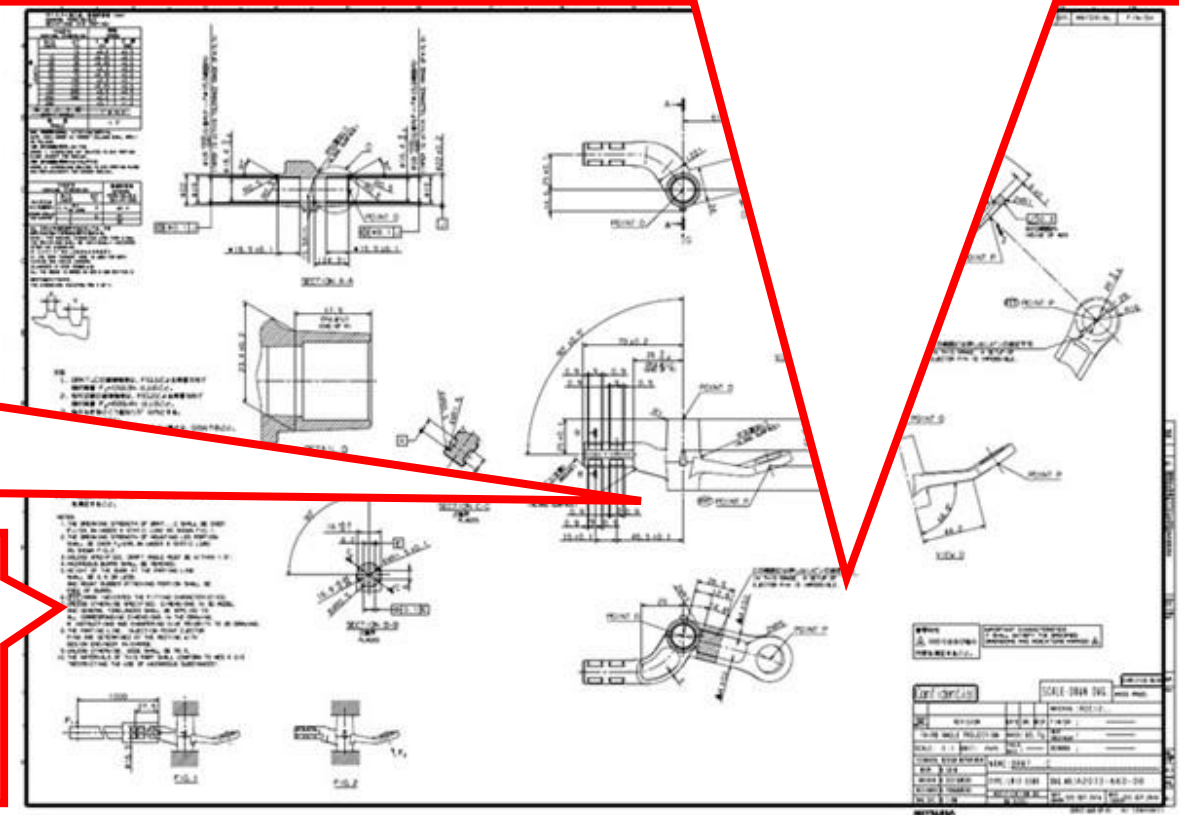
Confidential

SCALE-DOWN DWG

INTER-... REVISION... DATE... MATERIAL : ADC 12...



FIT
 6. は取付特性を示す。
 6. MARK INDICATES THE FITTING CHARACTERISTICS.



Working together in the Americas!

MITSUBA VISION 2024

Enter a New Stage with a New Global Viewpoint



+ VISION 2

Create new business markets

➔ VISION 1

Meet the needs of people for safety and reliability

■ VISION 3

Development of individuals and global communication

Thank you for your attention.