

18th Annual North American Supplier Conference

May 18, 2017

“Growth Through the Pursuit of Quality”

Presented by

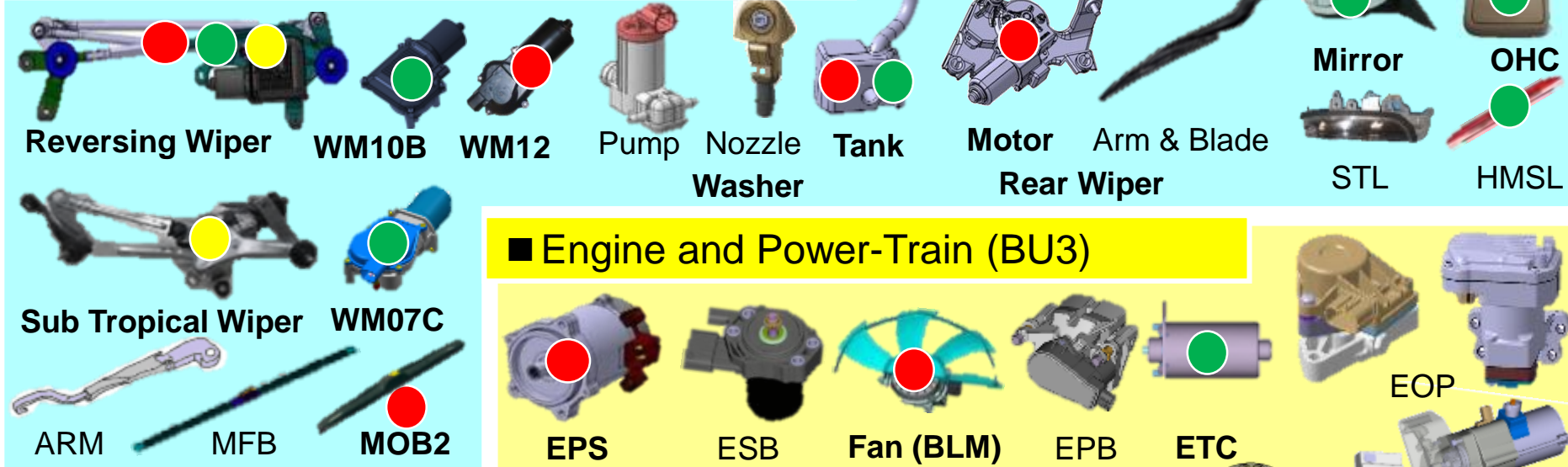
Yutaka Iijima

VP / General Manager - R&D

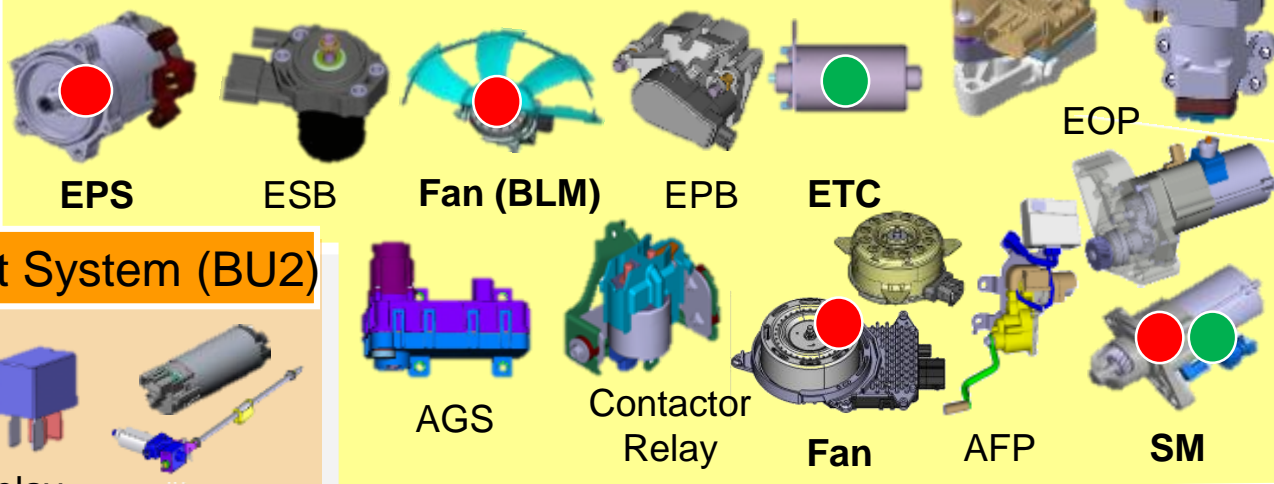
Product Lineup

(Existing and Future) Localization in the USA, Mexico, Brazil

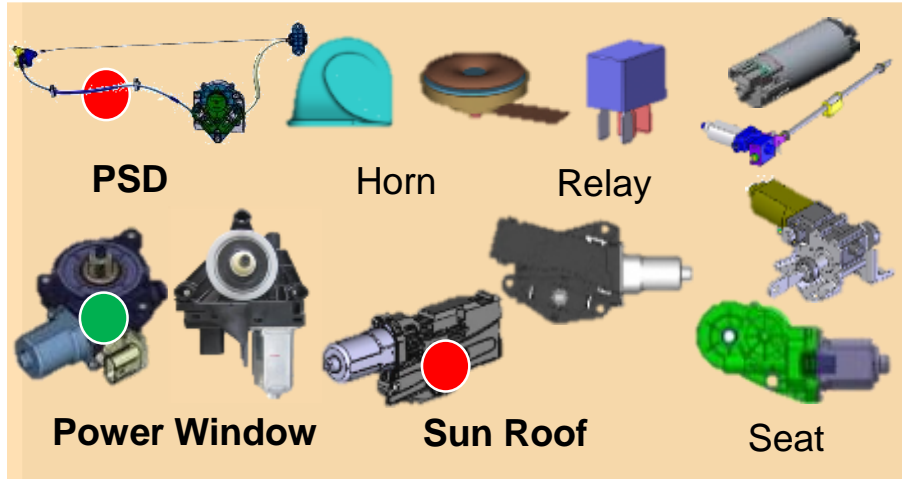
Field-of-Vision System (Wiper/Safety) (BU1)



Engine and Power-Train (BU3)



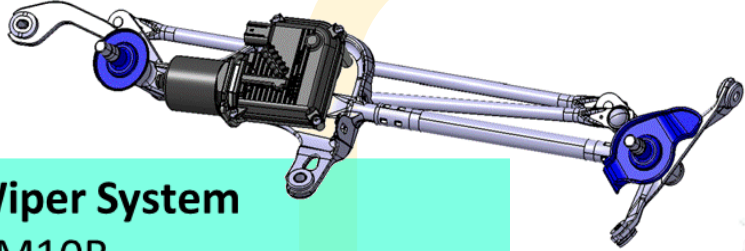
Convenience and Comfort System (BU2)



Motorcycles (BU4)



AMC's Mainly products



Smart Wiper System

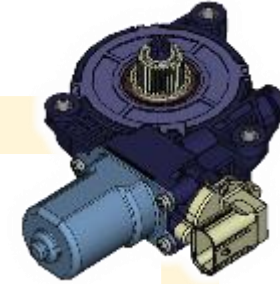
Type: WM10B

Product : CMM(Motor)

AMC(Linkage system)

Designed by AMC

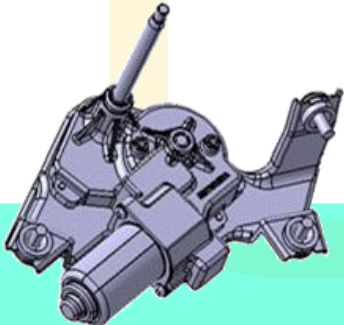
2018 MY Odyssey



Window regulator motor

Type : WR19

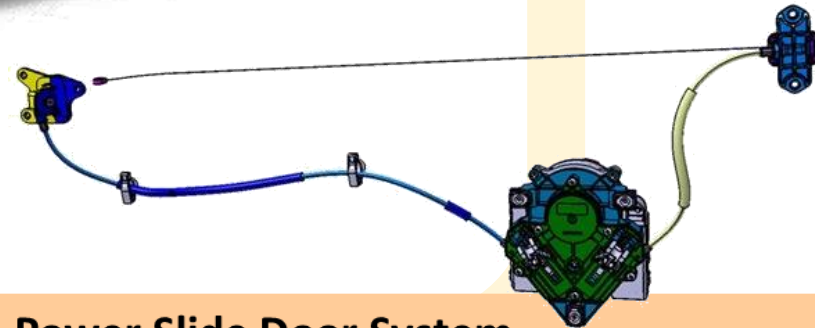
Product : CMM



Rear Wiper

Type : WM22

Product : AMC



Power Slide Door System

Type :AD19

Product : MAPI(Motor) AMC(Drive Unit)

Developed by AMC

- Your VA proposals are greatly appreciated.

Please contact the following personnel.

Yutaka Iijima, VP



ijima-yutaka@amc.mitsuba-gr.com

General
Door Mirror
Lamp

Kazuo Takamoto, Mgr.



takamoto-kazuo@amc.mitsuba-gr.com

Front Wiper System
Rear Wiper System
Washer System

Weixiang Li, Mgr.



li-weixiang@amc.mitsuba-gr.com

Products other than above

Kazumasa Chigira, Mgr.



chigira-kazumasa@amc.mitsuba-gr.com

Electrical / Electronics products-related

Working together in the Americas!

MITSUBA VISION 2024

Enter a New Stage with a New Global Viewpoint



+ VISION 2

Create new business markets

➤ VISION 1

Meet the needs of people for
safety and reliability

■ VISION 3

Development of individuals and global communication

Thank you for your attention.